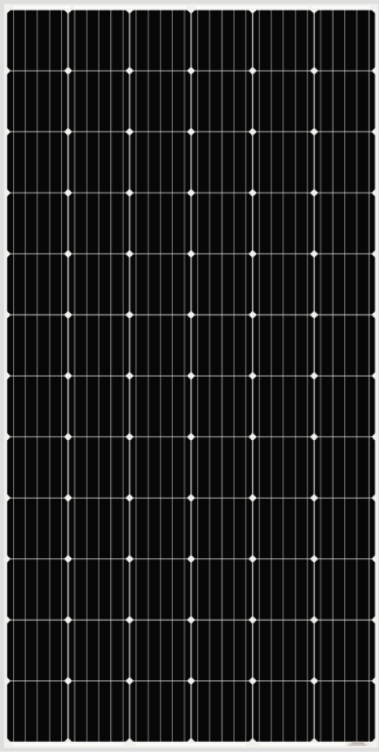


# PWSOLAR

## 400W 72 cells series

### MONOCRYSTALLINE MODULE



#### ADVANCED PERFORMANCE & PROVEN ADVANTAGES

- ◆ High module conversion efficiency up to 20.10% by using innovative cell design and Multi-busbar(MBB) cell technology.
- ◆ Low temperature coefficient and excellent performance under high temperature and low light conditions.
- ◆ Robust aluminum frame ensures the modules to withstand wind loads up to 2400Pa and snow loads up to 5400Pa.
- ◆ High reliability against extreme environmental conditions (passing salt mist, ammonia and hail tests).
- ◆ Potential induced degradation (PID) resistance.
- ◆ Positive power tolerance of 0 ~ +5w.

#### ELECTRICAL CHARACTERISTICS AT STC

Model	PW400Wp-72M
Maximum Power ( $P_{max}$ )	400W
Power Tolerance	0 ~ + 5W
Open Circuit Voltage (VOC)	49.24V
Short Circuit Current (ISC)	10.28A
Voltage at Nominal Power ( $V_{mp}$ )	41.03V
Current at Nominal Power ( $I_{mp}$ )	9.75A
Size of Module	1979 x 1002 x 35mm
Standard Test condition	Irradiance:1000W/M2 Temp: 25 <sup>o</sup> C , & AM :1.5G spectrum
Maximum system voltage	1000V DC/1500V DC
Operating temperature	40°C to +85°C
Module Efficiency	20.10%

#### ELECTRICAL CHARACTERISTICS AT STC

NOCT	45 +/- 2°C
Voltage temperature coefficient( $V_{oc}$ )	-0.330%/°C
Current temperature coefficient ( $I_{sc}$ )	+0.058%/°C
Power temperature coefficient( $P_{mpp}$ )	-0.400%/°C
Minimum power tolerance	+/-10%
NOCT	45 +/- 2°C



Room 101, No. 5 Building, No. 9 Haikou Road, Shinan District, Qingdao, China 266000

0086 532 85872070

0086 155 6392 6558 WhatsApp 0086 138 6421 6496

sales@pwsolarpower.com

info@pwsolarpower.com

www.pwsolarpower.com

# MECHANICAL CHARACTERISTICS

Cell Type	Monocrystalline
Number of cell	72pcs
Size of Module	1979 x 1002 x 35mm
Weight	About 21.50kgs
Front Cover	3.2mm tempered glass with AR coating
Frame	Anodized aluminum alloy
Junction Box	IP67, 3 diodes
Cable	4mm <sup>2</sup> (0.006inches <sup>2</sup> ), 1000mm (39.37inches)
Connector	MC4 or MC4 compatible

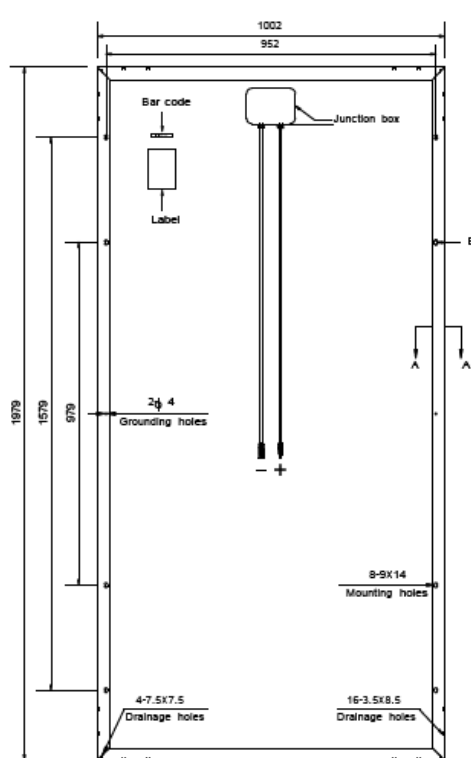
# MODULE WARRANTY

12 year limited product; limited linear power warranty: 12 year 91.20% of nominal power output, 30 year 80.60% of nominal power output.  
 20 years product warranty; 30 years linear power output warranty

# PACKING

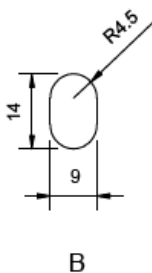
Standarding Packing: 31pcs/Pallet      Module Quantity of 20' container: 304pcs      Module Quantity of 40' container: 780pcs

# ENGINEERING DRAWING

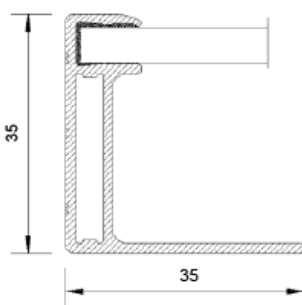


Rear View

Unit: mm

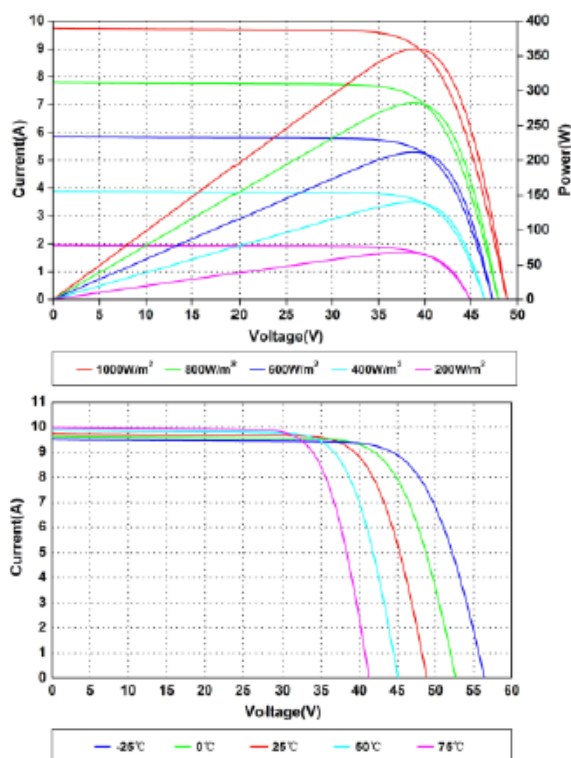


B



Section A-A

# IV CURVES



Room 101, No. 5 Building, No. 9 Haikou Road, Shinan District, Qingdao, China 266000  
 0086 532 85872070      0086 155 6392 6558      WhatsApp 0086 138 6421 6496  
 sales@pwsolarpower.com      info@pwsolarpower.com      www.pwsolarpower.com