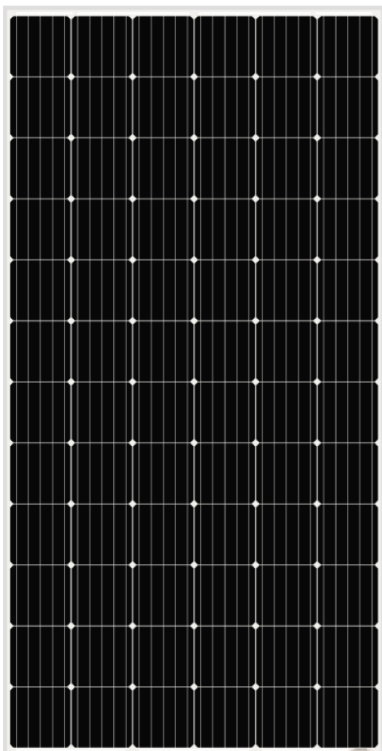


PWSOLAR

350W

MONOCRYSTALLINE MODULE



ADVANCED PERFORMANCE & PROVEN ADVANTAGES

- ◆ High module conversion efficiency up to 18.04% by using innovative cell design and Multi-busbar(MBB) cell technology.
- ◆ Low temperature coefficient and excellent performance under high temperature and low light conditions.
- ◆ Robust aluminum frame ensures the modules to withstand wind loads up to 2400Pa and snow loads up to 5400Pa.
- ◆ High reliability against extreme environmental conditions (passing salt mist, ammonia and hail tests).
- ◆ Potential induced degradation (PID) resistance.
- ◆ Positive power tolerance of 0 ~ +5w.

ELECTRICAL CHARACTERISTICS AT STC

Model	PW350Wp-72M
Maximum Power (P_{max})	350W
Power Tolerance	0 ~ + 5W
Open Circuit Voltage (VOC)	47.20V
Short Circuit Current (ISC)	9.50A
Voltage at Nominal Power (V_{mp})	38.40V
Current at Nominal Power (I_{mp})	8.99A
Size of Module	1979 x 1002 x 35mm
Standard Test condition	Irradiance:1000W/M2 Temp: 25 ^o C , & AM :1.5G spectrum
Maximum system voltage	1000V DC/1500V DC
Operating temperature	40°C to +85°C
Module Efficiency	18.04%

ELECTRICAL CHARACTERISTICS AT STC

NOCT	45 +/- 2°C
Voltage temperature coefficient(V_{oc})	-0.33%/°C
Current temperature coefficient (I_{sc})	+0.058%/°C
Power temperature coefficient(P_{mpp})	-0.400%/°C
Minimum power tolerance	+/-10%
NOCT	45 +/- 2°C



Room 101, No. 5 Building, No. 9 Haikou Road, Shinan District, Qingdao, China 266000

0086 532 85872070 0086 155 6392 6558 WhatsApp 0086 138 6421 6496
 sales@pwsolarpower.com info@pwsolarpower.com www.pwsolarpower.com

MECHANICAL CHARACTERISTICS

Cell Type	Monocrystalline
Number of cell	72pcs
Size of Module	1979 x 1002 x 35mm
Weight	About 21.50kgs
Front Cover	3.2mm tempered glass with AR coating
Frame	Anodized aluminum alloy
Junction Box	IP67, 3 diodes
Cable	4mm ² (0.006inches ²), 1000mm (39.37inches)
Connector	MC4 or MC4 compatible

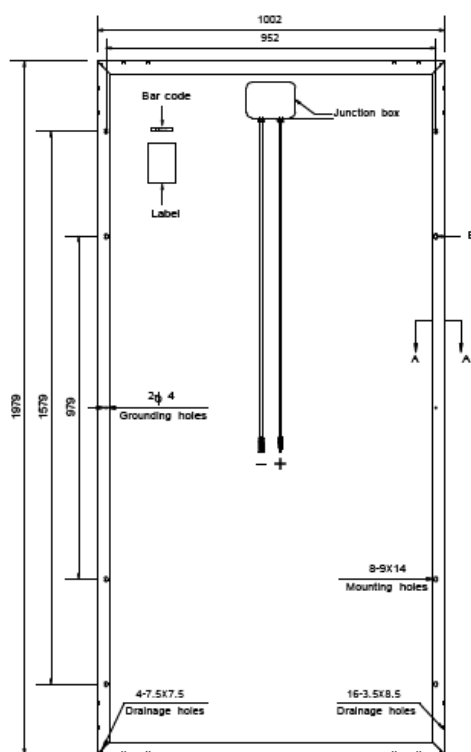
MODULE WARRANTY

12 year limited product; limited linear power warranty: 12 year 91.20% of nominal power output, 30 year 80.60% of nominal power output.
 20 years product warranty; 30 years linear power output warranty

PACKING

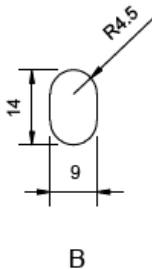
Standarding Packing: 31pcs/Pallet Module Quantity of 20' container: 304pcs Module Quantity of 40' container: 780pcs

ENGINEERING DRAWING

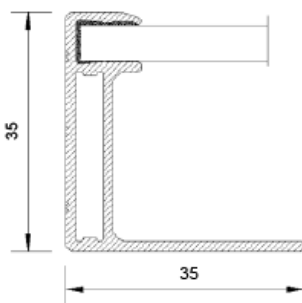


Rear View

Unit: mm

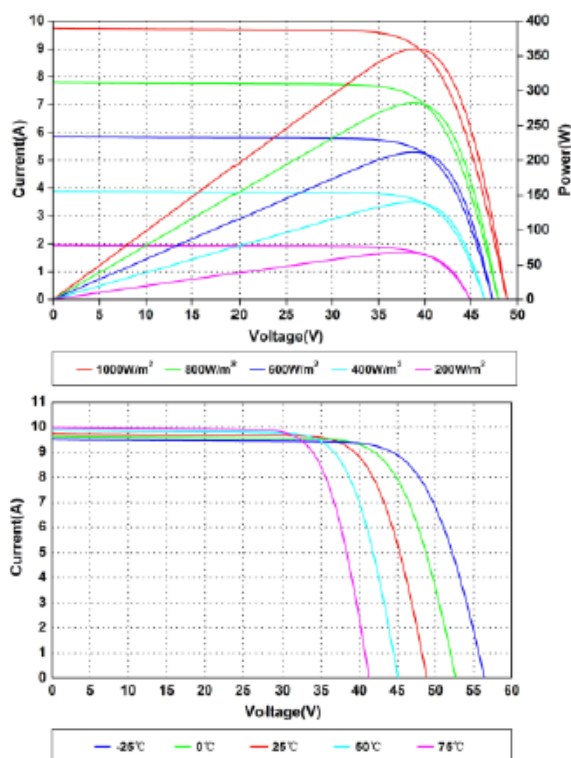


B



Section A-A

IV CURVES



Room 101, No. 5 Building, No. 9 Haikou Road, Shinan District, Qingdao, China 266000
 0086 532 85872070 0086 155 6392 6558 WhatsApp 0086 138 6421 6496
 sales@pwsolarpower.com info@pwsolarpower.com www.pwsolarpower.com