

# PWSOLAR

## 290W

### POLYCRYSTALLINE MODULE



#### ADVANCED PERFORMANCE & PROVEN ADVANTAGES

- ◆ High module conversion efficiency up to 17.72% by using innovative Half-cell design and Multi-busbar(MBB) cell technology.
- ◆ Low temperature coefficient and excellent performance under high temperature and low light conditions.
- ◆ Robust aluminum frame ensures the modules to withstand wind loads up to 2400Pa and snow loads up to 5400Pa.
- ◆ High reliability against extreme environmental conditions (passing salt mist, ammonia and hail tests).
- ◆ Potential induced degradation (PID) resistance.
- ◆ Power tolerance of  $\pm 5\%$ .

#### ELECTRICAL CHARACTERISTICS AT STC

Model	PW290Wp-60P
Maximum Power ( $P_{max}$ )	290W
Power Tolerance	$\pm 5\%$
Open Circuit Voltage (VOC)	38.85V
Short Circuit Current (ISC)	9.54A
Voltage at Nominal Power ( $V_{mp}$ )	31.81V
Current at Nominal Power ( $I_{mp}$ )	9.12A
Size of Module	1650 x 992 x 35mm
Standard Test condition	Irradiance:1000W/M2 Temp: 25°C , & AM :1.5G spectrum
Maximum system voltage	1000VDC
Operating temperature	- 40°C to +85°C
Module Efficiency	17.72%

#### ELECTRICAL CHARACTERISTICS AT STC

NOCT	45 $\pm$ 2°C
Voltage temperature coefficient( $V_{oc}$ )	-0.33%/°C
Current temperature coefficient ( $I_{sc}$ )	+0.058%/°C
Power temperature coefficient( $P_{mpp}$ )	-0.400%/°C
Minimum power tolerance	+/-10%



Room 101, No. 5 Building, No. 9 Haikou Road, Shinan District, Qingdao, China 266000  
 0086 532 85872070 0086 155 6392 6558 WhatsApp 0086 138 6421 6496  
 sales@pwsolarpower.com info@pwsolarpower.com www.pwsolarpower.com

## MECHANICAL CHARACTERISTICS

Cell Type	Polycrystalline (158.75*158.75)
Number of cell	60pcs
Size of Module	1650 x 992 x 35mm
Weight	About 18.50kgs
Front Cover	3.2mm tempered glass with AR coating
Frame	Anodized aluminum alloy
Junction Box	IP67, 3 diodes
Cable	4mm <sup>2</sup> (0.006inches <sup>2</sup> ), 900mm (11.81inches)
Connector	MC4 or MC4 compatible

## MODULE WARRANTY

25-year limited warranty of 80% power output; 10-year limited warranty of 90% power output; 12-year limited warranty of materials and workmanship.

## PACKING

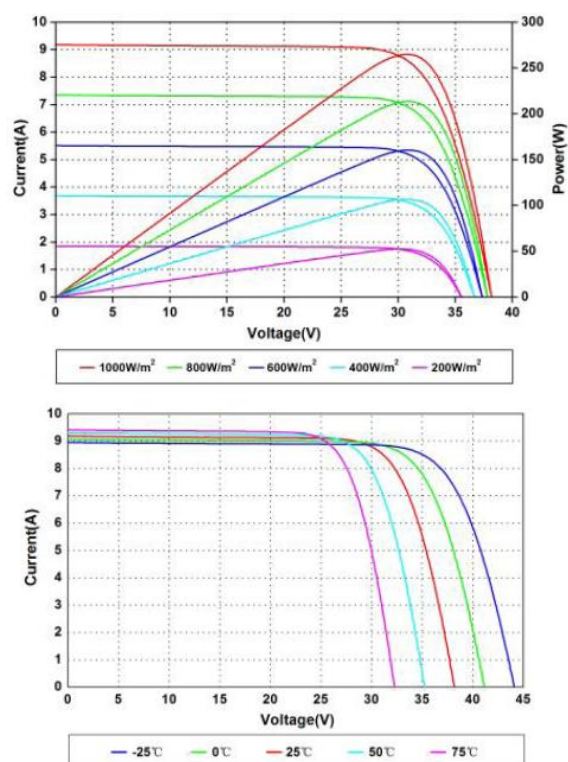
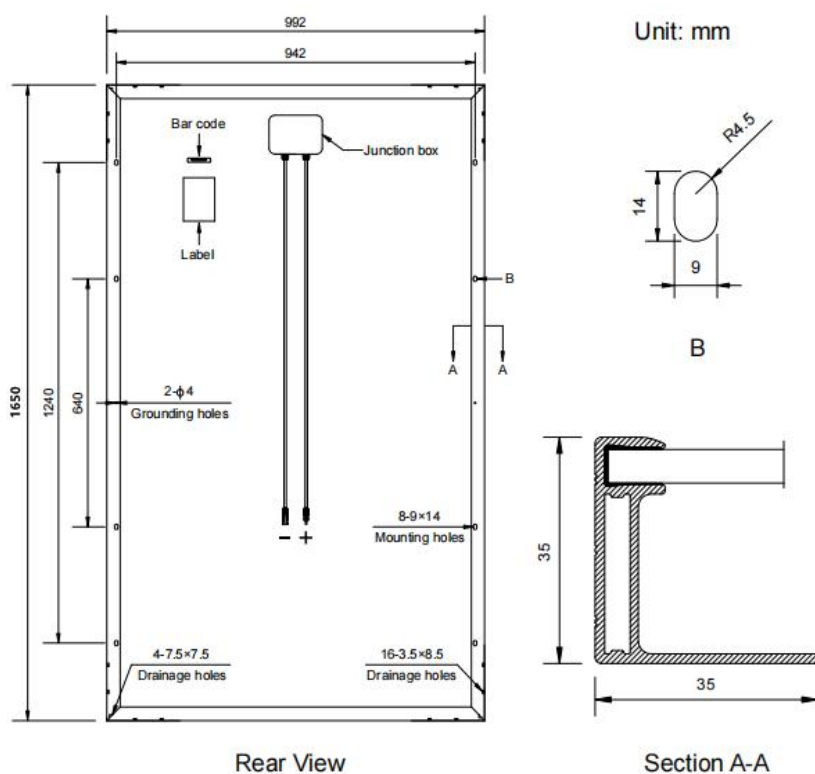
Standard Packing: 30pcs/Pallet

Module Quantity of 20' container: 360pcs

Module Quantity of 40' container: 924pcs

## ENGINEERING DRAWING

## IV CURVES



Room 101, No. 5 Building, No. 9 Haikou Road, Shinan District, Qingdao, China 266000

0086 532 85872070

0086 155 6392 6558

WhatsApp 0086 138 6421 6496

sales@pwsolarpower.com

info@pwsolarpower.com

www.pwsolarpower.com

Specifications in this datasheet are subject to change without prior notice