

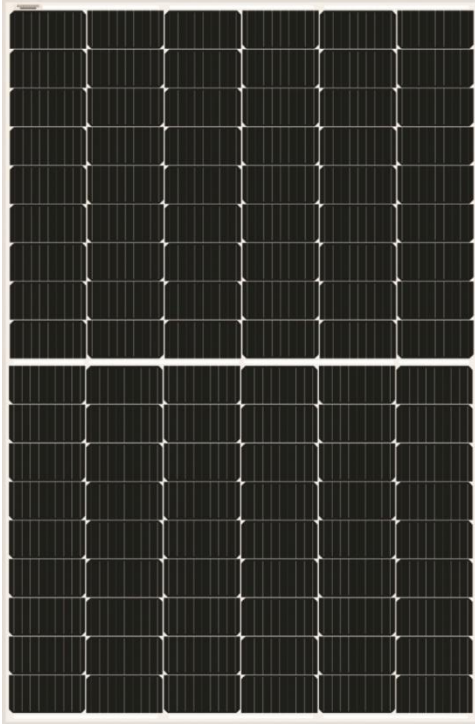
PWSOLAR

410W

MONOCRYSTALLINE MODULE

ADVANCED PERFORMANCE & PROVEN ADVANTAGES

- ◆ High module conversion efficiency up to 21.00% by using innovative Half-cell design and Multi-busbar(MBB) cell technology.
- ◆ Low temperature coefficient and excellent performance under high temperature and low light conditions.
- ◆ Robust aluminum frame ensures the modules to withstand wind loads up to 2400Pa and snow loads up to 5400Pa.
- ◆ High reliability against extreme environmental conditions (passing salt mist, ammonia and hail tests).
- ◆ Potential induced degradation (PID) resistance.
- ◆ Power tolerance of $\pm 5\%$.



ELECTRICAL CHARACTERISTICS AT STC

Model	PW410Wp-108M
Maximum Power (P_{max})	410W
Power Tolerance	$\pm 5\%$
Open Circuit Voltage (VOC)	37.60V
Short Circuit Current (ISC)	13.82A
Voltage at Nominal Power (V_{mp})	31.40V
Current at Nominal Power (I_{mp})	13.06A
Size of Module	1722 x 1134 x 35mm
Standard Test condition	Irradiance:1000W/M2 Temp: 25°C , & AM :1.5G spectrum
Maximum system voltage	1000VDC/1500VDC
Operating temperature	- 40°C to +85°C
Module Efficiency	21.00%

ELECTRICAL CHARACTERISTICS AT STC

NOCT	45 +/- 2°C
Voltage temperature coefficient(V_{oc})	-0.33%/°C
Current temperature coefficient (I_{sc})	+0.058%/°C
Power temperature coefficient(P_{mpp})	-0.400%/°C
Minimum power tolerance	+/-10%
NOCT	45 +/- 2°C



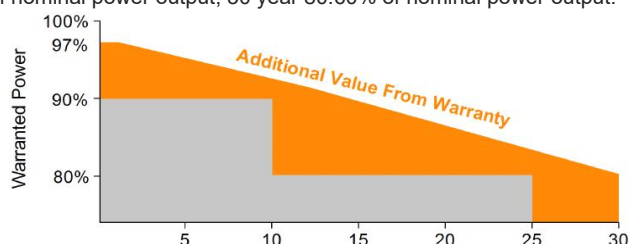
MECHANICAL CHARACTERISTICS

Cell Type	Monocrystalline PERC (182*91mm)
Number of cell	108pcs (6 x 18)
Size of Module	1722 x 1134 x 35mm
Weight	About 21.50kgs
Front Cover	3.2mm tempered glass with AR coating
Frame	Anodized aluminum alloy
Junction Box	IP68, 3 diodes
Cable	4mm ² (0.006inches ²), Portrait: 300mm (11.81inches); Landscape: 1200mm
Connector	MC4 or MC4 compatible

MODULE WARRANTY

12 year limited product; limited linear power warranty: 12 year 91.20% of nominal power output, 30 year 80.60% of nominal power output.
 20 years product warranty; 30 years linear power output warranty

- Linear performance warranty from PWSOLAR
- Standard performance warranty



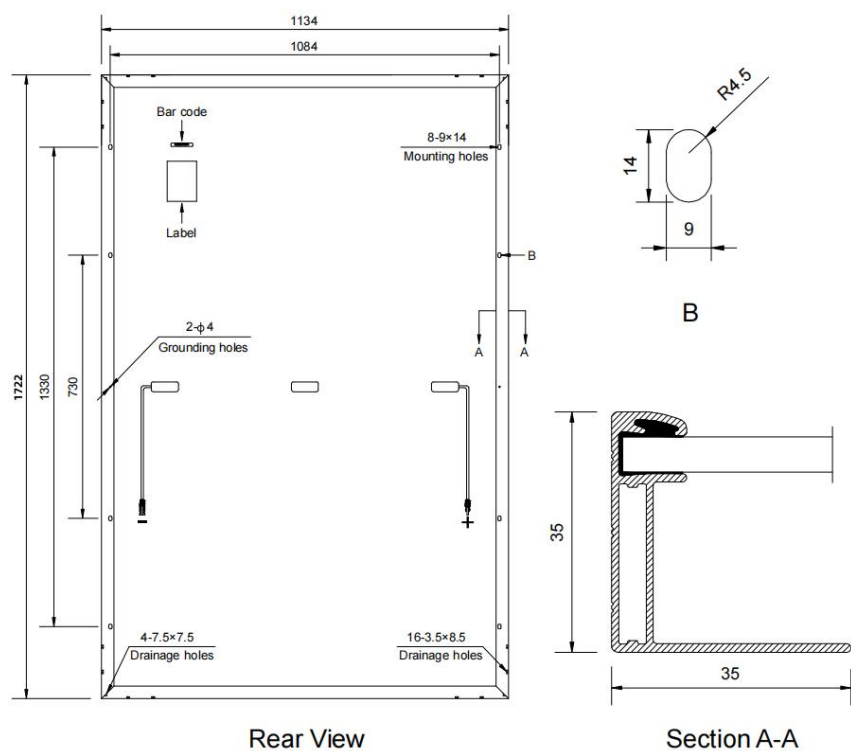
PACKING

Standarding Packing: 31pcs/Pallet

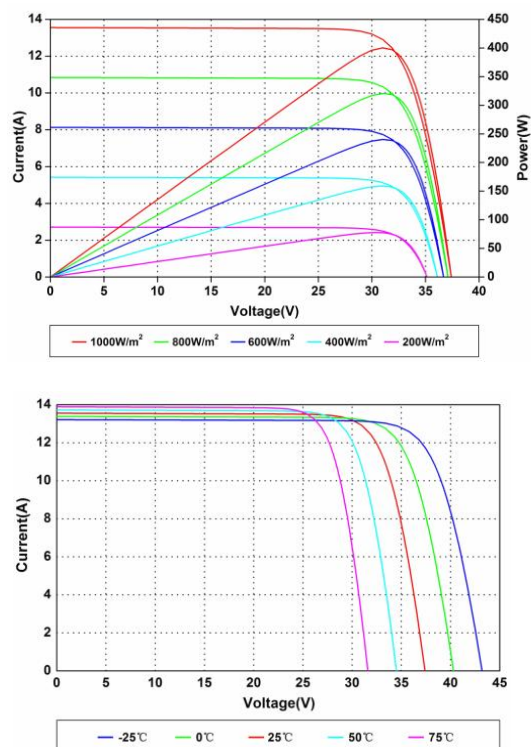
Module Quantity of 20' container: 330pcs

Module Quantity of 40' container: 806pcs

ENGINEERING DRAWING



IV CURVES



Room 101, No. 5 Building, No. 9 Haikou Road, Shinan District, Qingdao, China 266000

0086 532 85872070 0086 155 6392 6558 WhatsApp 0086 138 6421 6496

sales@pwsolarpower.com info@pwsolarpower.com www.pwsolarpower.com

Specifications in this datasheet are subject to change without prior notice