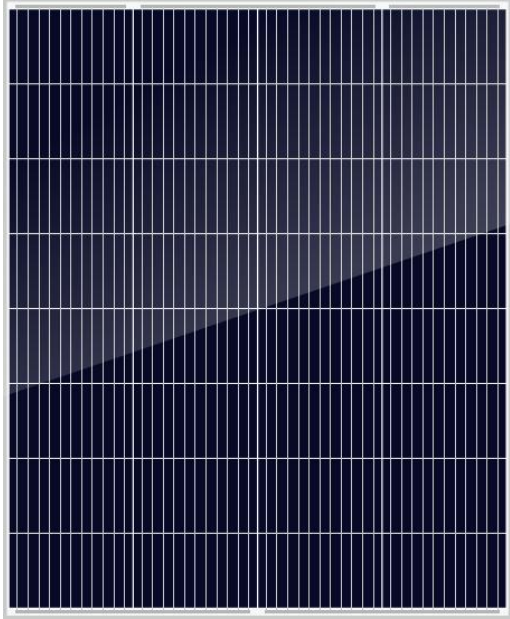


# PWSOLAR

## 180W

### MONOCRYSTALLINE MODULE



#### ADVANCED PERFORMANCE & PROVEN ADVANTAGES

- ◆ High module conversion efficiency up to 19.23% by using innovative Half-cell design and Multi-busbar(MBB) cell technology.
- ◆ Low temperature coefficient and excellent performance under high temperature and low light conditions.
- ◆ Robust aluminum frame ensures the modules to withstand wind loads up to 2400Pa and snow loads up to 5400Pa.
- ◆ High reliability against extreme environmental conditions (passing salt mist, ammonia and hail tests).
- ◆ Potential induced degradation (PID) resistance.
- ◆ Positive power tolerance of 0 ~ +5w.

#### ELECTRICAL CHARACTERISTICS AT STC

Model	PW180Wp-32M
Maximum Power ( $P_{max}$ )	180W
Power Tolerance	0 ~ + 5W
Open Circuit Voltage (VOC)	21.34V
Short Circuit Current (ISC)	10.42A
Voltage at Nominal Power ( $V_{mp}$ )	18.22V
Current at Nominal Power ( $I_{mp}$ )	9.88A
Size of Module	1070 x 875 x 30mm
Standard Test condition	Irradiance:1000W/M2 Temp: 25°C , & AM :1.5G spectrum
Maximum system voltage	700VDC
Operating temperature	- 40°C to +85°C
Module Efficiency	19.23%

#### ELECTRICAL CHARACTERISTICS AT STC

NOCT	45 +/- 2°C
Voltage temperature coefficient( $V_{oc}$ )	-0.33%/°C
Current temperature coefficient ( $I_{sc}$ )	+0.058%/°C
Power temperature coefficient( $P_{mpp}$ )	-0.400%/°C
Minimum power tolerance	+/-10%
NOCT	45 +/- 2°C



## MECHANICAL CHARACTERISTICS

Cell Type	Monocrystalline (210 x 126mm)
Number of cell	36pcs (4 x 8)
Size of Module	1070 x 875 x 30mm
Weight	About 9.50kgs
Front Cover	3.2mm tempered glass with AR coating
Frame	Anodized aluminum alloy
Junction Box	IP67 Rated
Cable	4mm <sup>2</sup> (0.006inches <sup>2</sup> ), 900mm
Connector	MC4 or MC4 compatible

## MODULE WARRANTY

25-year limited warranty of 80% power output; 10-year limited warranty of 90% power output; 12-year limited warranty of materials and workmanship.

## PACKING

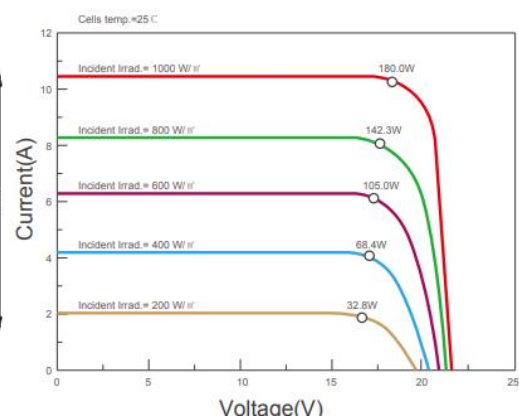
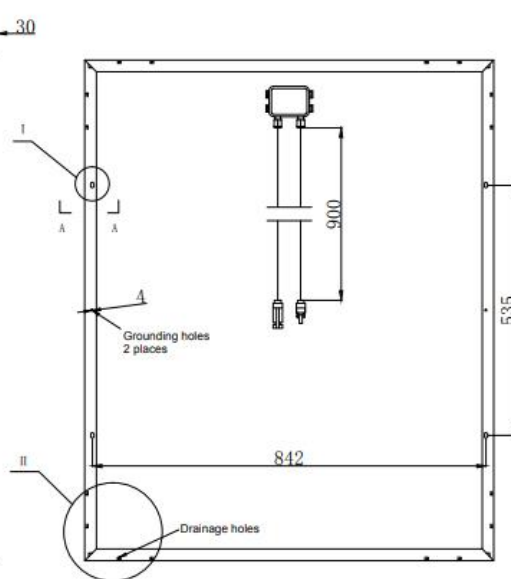
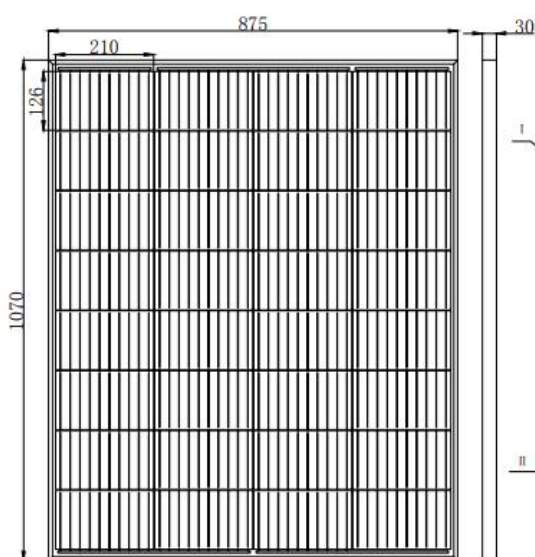
Standarding Packing: 30pcs/Pallet

Module Quantity of 20' container: 760pcs

Module Quantity of 40' container: 1800pcs

## ENGINEERING DRAWING

## IV CURVES



Room 101, No. 5 Building, No. 9 Haikou Road, Shinan District, Qingdao, China 266000

0086 532 85872070

0086 155 6392 6558

WhatsApp 0086 138 6421 6496

sales@pwsolarpower.com

info@pwsolarpower.com

www.pwsolarpower.com